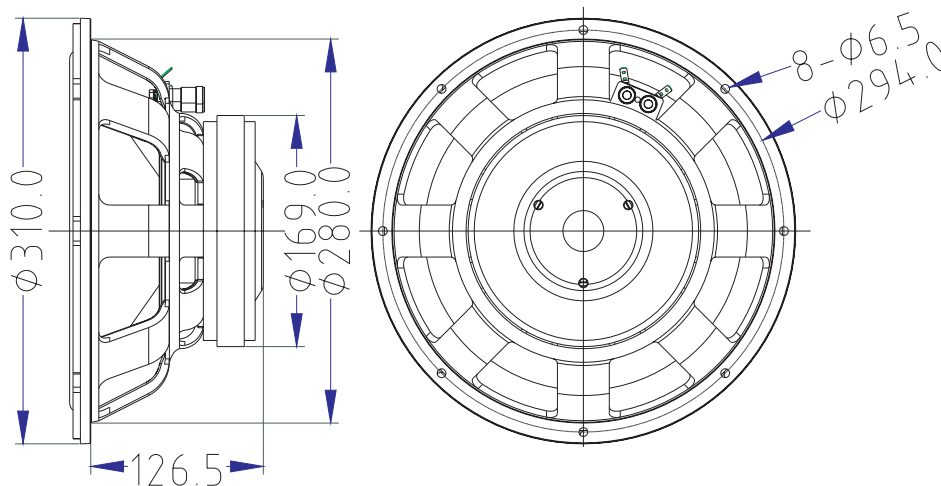
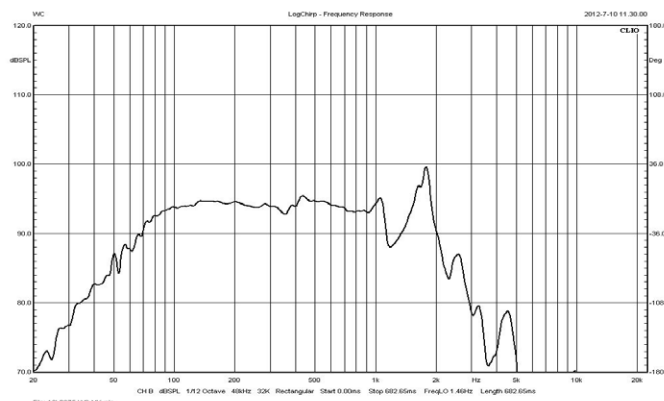
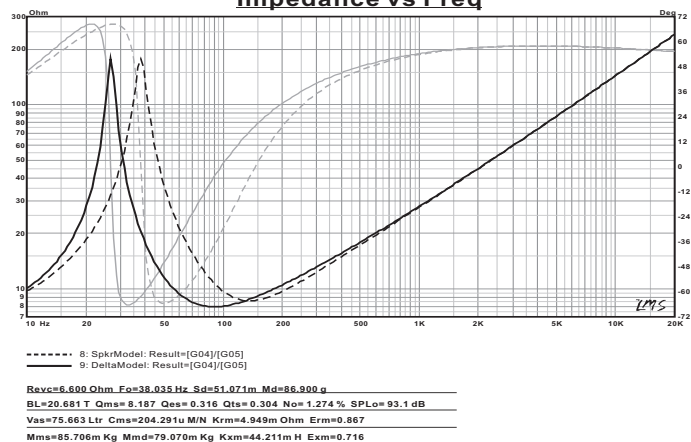


## Features

■ Diameter:	300 mm (12")	■ Frequency response:	38 Hz – 2 kHz
■ Nominal impedance:	8 Ω	■ Voice coil diameter:	75.55 mm
■ Minimum impedance:	8.3 Ω	■ Winding material:	Copper wire, round
■ DC resistance:	6.6 Ω ± 0.33 Ω	■ Former material:	Glass Fibre
■ Rated power handling:	280 W	■ Winding depth:	15.1 mm
■ Peak power handling:	1.120 W	■ Magnetic gap depth:	10 mm
■ Sensitivity (1 W / 1 m):	95 dB	■ Flux density	0.68 T
■ Fs:	38 Hz		



**Impedance vs Freq**



This device converts electrical NF signals into acoustic signals. Any other use or use under other operating conditions is considered to be improper and may result in personal injury or property damage. No liability will be assumed for damages resulting from improper use.



Ensure that plastic bags, packaging, etc. are properly disposed of and are not in the reach of babies and young children. Choking hazard! Ensure that children do not detach any small parts (e.g. knobs or the like) from the product. They could swallow the pieces and choke! Never let children use electrical devices unattended.



For the transport and protective packaging, environmentally friendly materials have been chosen that can be supplied to normal recycling. Ensure that plastic bags, packaging, etc. are properly disposed of. Do

not just dispose of these materials with your normal household waste, but make sure that they are collected for recycling. Please follow the notes and markings on the packaging.



This product is subject to the European Waste Electrical and Electronic Equipment Directive (WEEE) in its currently valid version. Do not dispose of your old device with your normal household waste. Dispose of this product through an approved waste disposal firm or through your local waste facility. Comply with the rules and regulations that apply in your country. If in doubt, consult your local waste disposal facility. Batteries must not be disposed of as domestic waste or thrown into fire. Dispose of batteries according to national or local regulations regarding hazardous waste. To protect the environment, dispose of empty batteries at your retail store or at appropriate collection sites.